

CYPRESS SEMICONDUCTOR

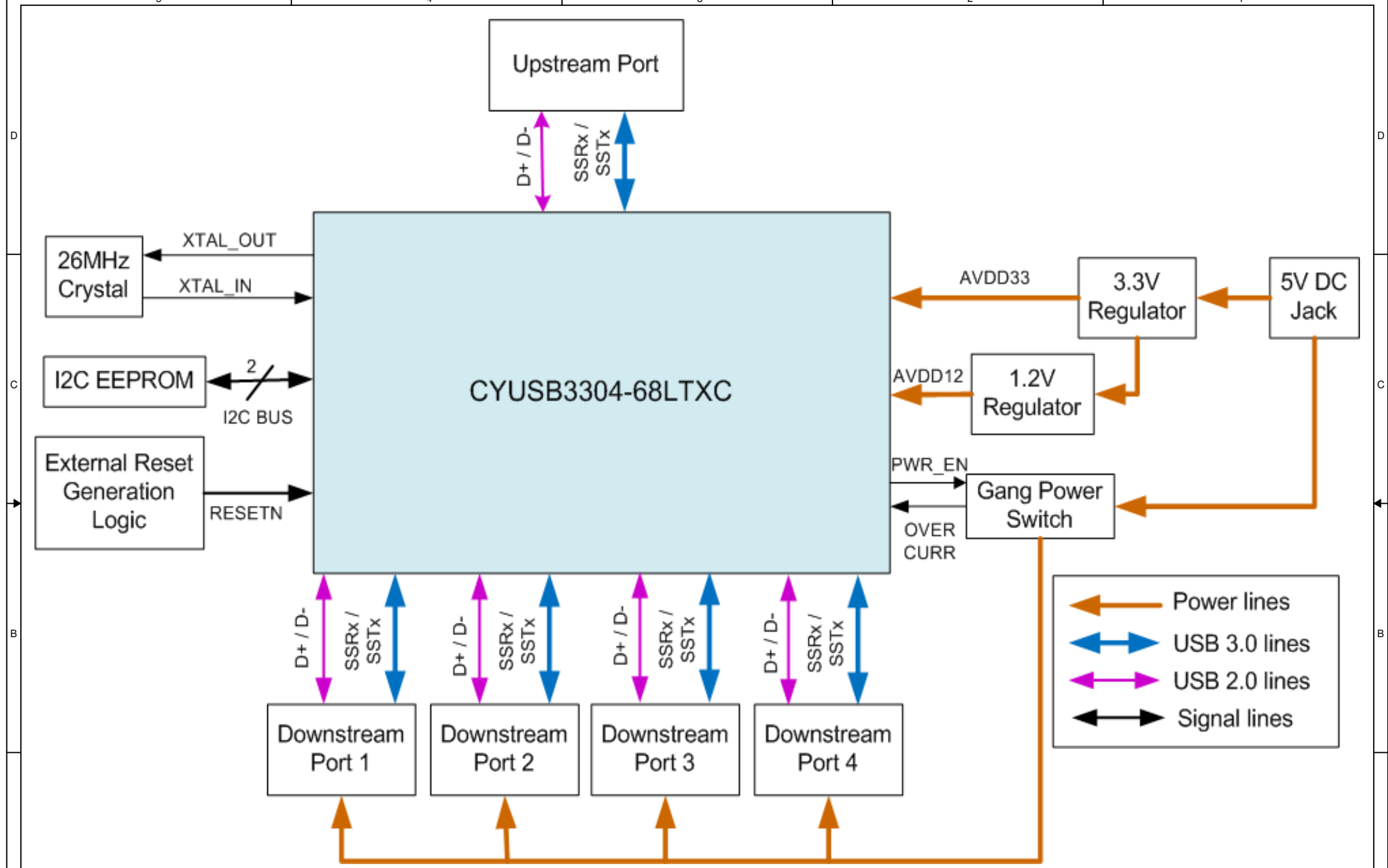
CY4609-RDK-BOARD

PAGE NO	TITLE
01	INDEX PAGE
02	BLOCK DIAGRAM
03	POWER SUPPLY
04	POWER & DECOUPLING
05	CYUSB3304-68LTXC-DEVICE CONNECTION

PCBA NUMBER 121-60126-01
PCB NUMBER 600-60159-01
FAB DRAWING NUMBER 610-60152-01
ASSEMBLY DRAWING NUMBER 620-60157-01
SCHEMATIC NUMBER 630-60155-01



CYPRESS SEMICONDUCTOR © 2014		
Title CY4609-INDEX PAGE		
Size A	Document Number 630-60155-01	Rev 4.0
Date: Thursday, February 13, 2014		
Sheet 1 of 5		

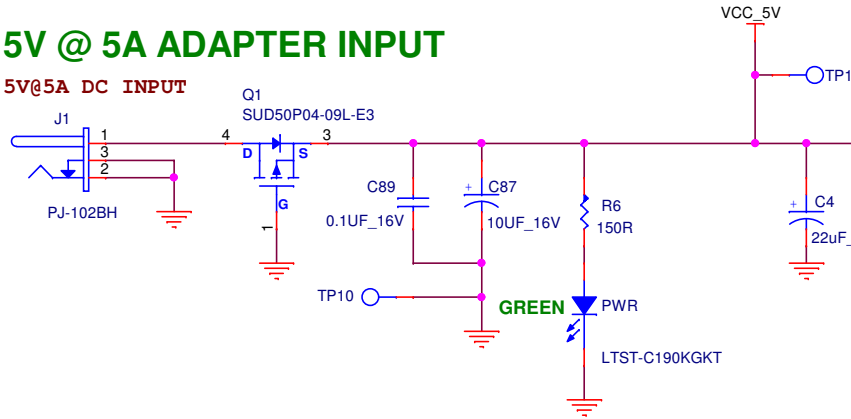


CYPRESS SEMICONDUCTOR © 2014		
Title		
BLOCK DIAGRAM		
Size	Document Number	Rev
A	630-60155-01	4.0
Date:	Thursday, February 13, 2014	Sheet 2 of 5

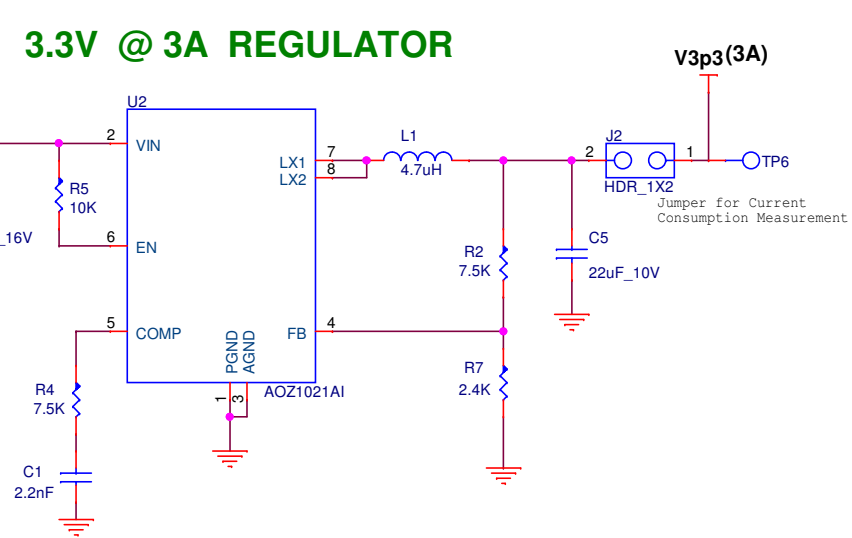
POWER SUPPLY

5V @ 5A ADAPTER INPUT

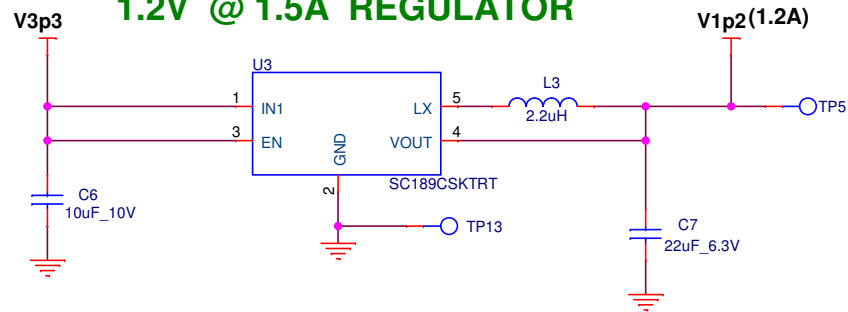
5V@5A DC INPUT



3.3V @ 3A REGULATOR

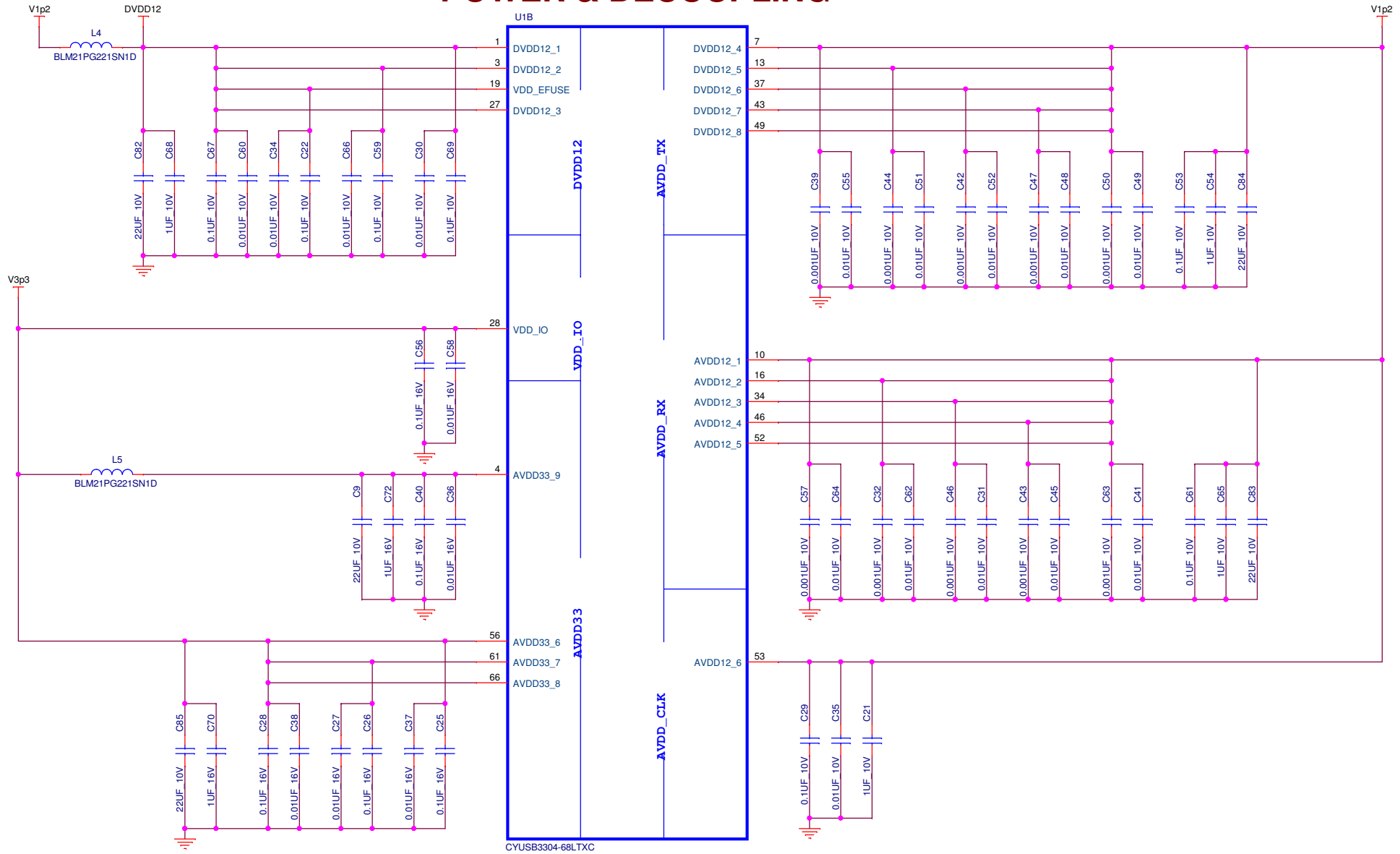


1.2V @ 1.5A REGULATOR

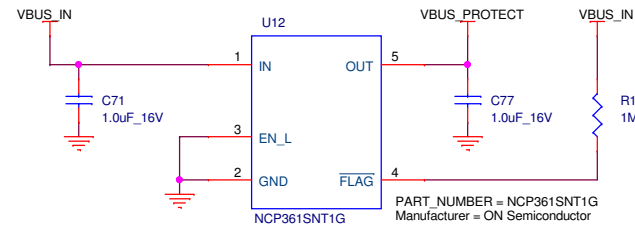


CYPRESS SEMICONDUCTOR © 2014		
Title POWER SUPPLY		
Size Custom	Document Number 630-60155-01	Rev 4.0
Date:	Thursday, February 13, 2014	Sheet 3 of 5

POWER & DECOUPLING

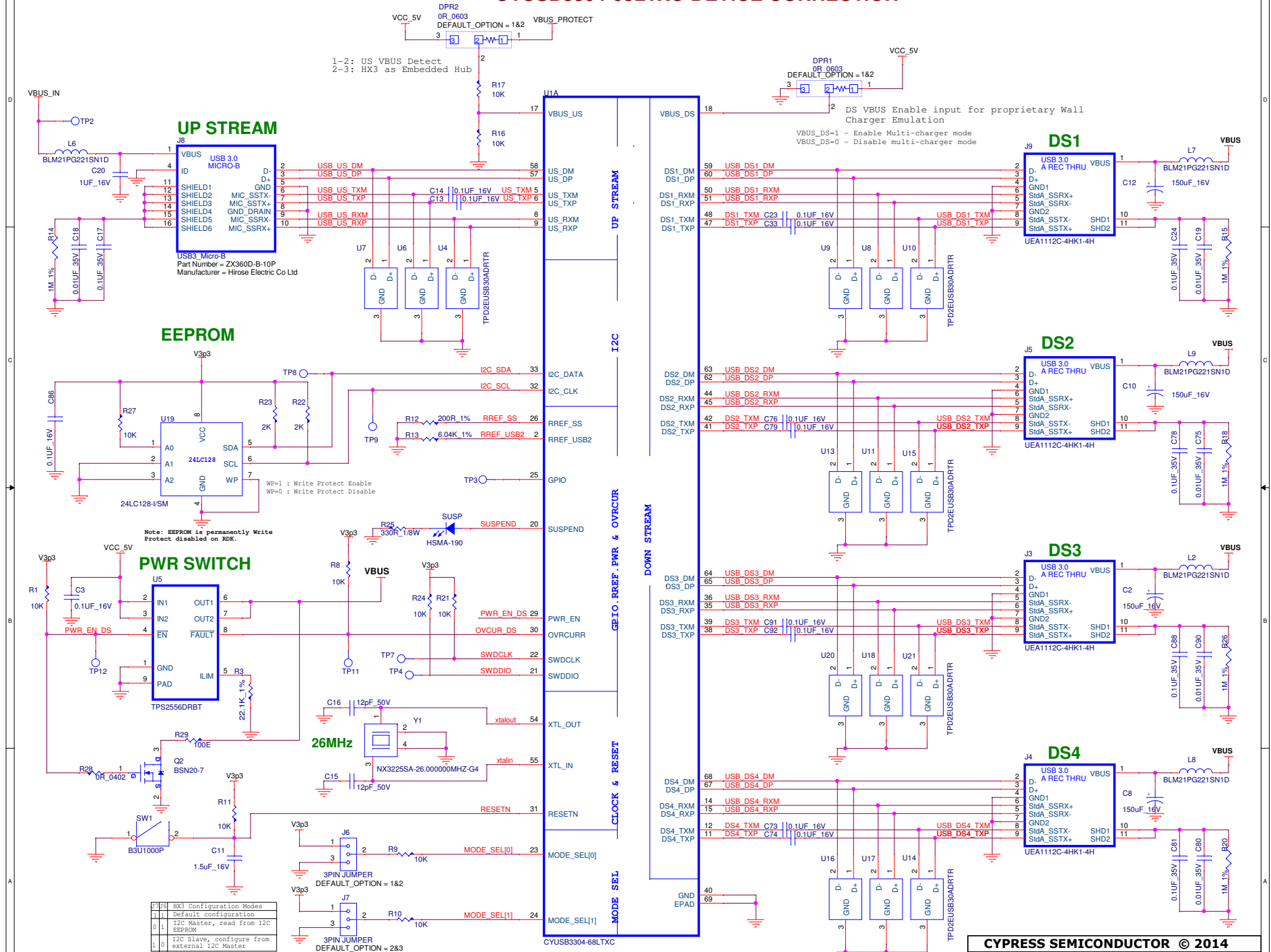


USB POSITIVE OVERVOLTAGE & OVERCURRENT PROTECTION CONTROLLER



CYPRESS SEMICONDUCTOR © 2014		
Title POWER & DECOUPLING		
Size Custom	Document Number 630-60155-01	Rev 4.0
Date: Thursday, February 13, 2014	Sheet 1	of 5

CYUSB3304-68LTXC-DEVICE CONNECTION



J7	HX3 Configuration Modes
1	Default configuration
0 1	I2C Master, read from I2C EEPROM
1 0	I2C Slave, configure from external I2C Master

Note: Connect the HX3 EPAD to GND through the via stitches.

CYPRESS SEMICONDUCTOR © 2014

Title: **CYUSB3304-68LTXC-DEVICE CONNECTION**

Size: Document Number **630-60155-01** Rev **4.0**

Date: Thursday, February 13, 2014 Sheet 5 of 5

